



LOW EAVE (GUTTER)

ED8100-LOW EAVE WITH GUTTER

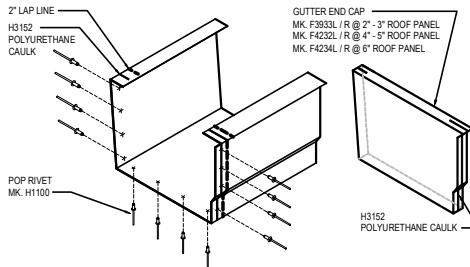
ED8200-LOW EAVE CORNER

ED8100 - LOW EAVE w/ GUTTER

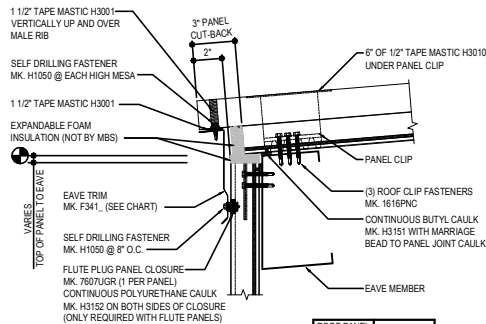
[Download the DWG file by clicking here.](#)

GUTTER LAP & END CAP

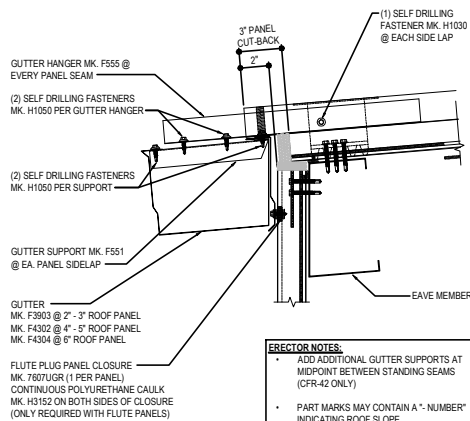
APPLY BEAD OF POLYURETHANE CAULK 1" FROM END OF TRIM AND LAP SECTIONS 2" AND FASTEN AS SHOWN. TO TERMINATE THE GUTTER APPLY POLYURETHANE CAULK TO THREE SIDES OF END CAP AND TOP RETURN AREA AS SHOWN AND INSERT INTO THE GUTTER LEAVING 1/2" EXPOSED. ATTACH WITH RIVETS SAME AS END LAP.



ERECTOR NOTE:
PART MARKS MAY CONTAIN A "-" NUMBER
INDICATING ROOF SLOPE



ROOF PANEL THICKNESS	EAVE TRIM
2" / 2.5" / 3"	F3415
4" / 5"	F3416
6"	F3417



ERECTOR NOTES:

- ADD ADDITIONAL GUTTER SUPPORTS AT MIDPOINT BETWEEN STANDING SEAMS (CFR-42 ONLY)
- PART MARKS MAY CONTAIN A "-" NUMBER INDICATING ROOF SLOPE

EAVE GUTTER DETAIL

INSULATED METAL PANEL ROOF WITH GUTTER

ED8100

Detailer Notes:

1) N/A

ED8200 - LOW EAVE CORNER DETAIL

Download the DWG file by clicking [here](#).

STEP 1

PREPARATION FOR RAKE TRIM INSTALLATION AT BUILDING WITH GUTTER

RAKE CLOSURE ATTACHMENT WITH GUTTER

ATTACH RAKE TRIM CLOSURE F3444 AT A HIGH RIB OR LOW RIB FOR PROPER SEAL. EXTEND RAKE CLOSURE DOWNSLOPE FOR ATTACHMENT TO GUTTER.

WHEN BEGINNING GUTTER AND EAVE TRIM INSTALL LOCATE CORRECT POSITION OF F341 TRIM AND CLAMP / HOLD IN PLACE AND FASTEN TO WALL PANEL WITH FASTENER MK. H1050. DO NOT FASTEN TO ROOF PANEL AT THIS TIME.

FIELD COPE EAVE TRIM

EAVE TRIM MK. F341 HELD LEVEL TO FACE OF PANEL AND EXTENDED OUT PAST CORNER AND FIELD COPED AROUND CORNER ALLOWING FASTENING WITH POP RIVETS MK. (H1100) FIELD WORK REQUIRED FOR WEATHER TIGHTNESS.

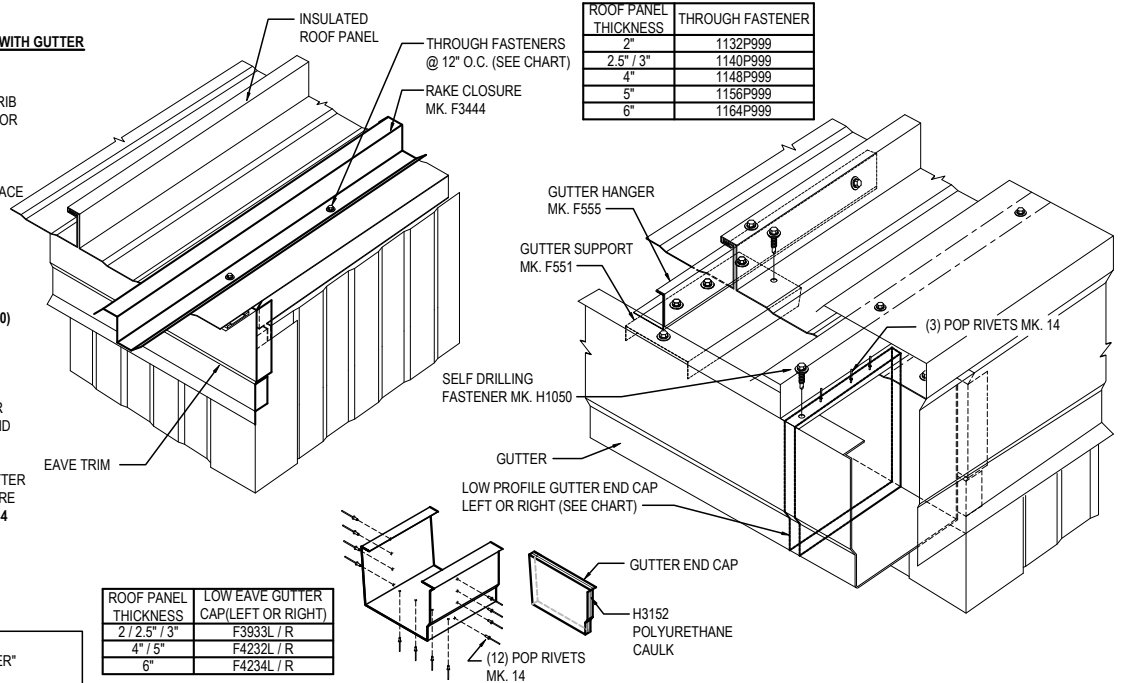
GUTTER INSTALLATION WITH GUTTER CAP AND RAKE TRIM

MARK LOCATION OF RAKE CLOSURE (F3444) ON GUTTER FOR PLACEMENT OF GUTTER END CAP. THE GUTTER WILL EXTEND OUT TO BE FLUSH WITH WALL PANEL.

APPLY BEAD OF POLYURETHANE CAULK (H3152) TO THE GUTTER END CAP AND INSERT INTO THE END OF THE GUTTER. ENSURE THE GUTTER CAP IS IN-LINE WITH YOUR MARK FOR THE F3444 RAKE CLOSURE AND FASTEN AS SHOWN.

FASTEN GUTTER ONTO LOW EAVE BY FOLLOW FASTENER QUANTITY AND LOCATION PER EAVE GUTTER DETAIL.

ERECTOR NOTE:
PART MARKS MAY CONTAIN A "-" NUMBER INDICATING ROOF SLOPE



ROOF PANEL THICKNESS	THROUGH FASTENER
2"	1132P999
2.5" / 3"	1140P999
4"	1148P999
5"	1156P999
6"	1164P999

ROOF PANEL THICKNESS	LOW EAVE GUTTER CAP (LEFT OR RIGHT)
2" / 2.5" / 3"	F3933L / R
4" / 5"	F4232L / R
6"	F4234L / R

STEP 2

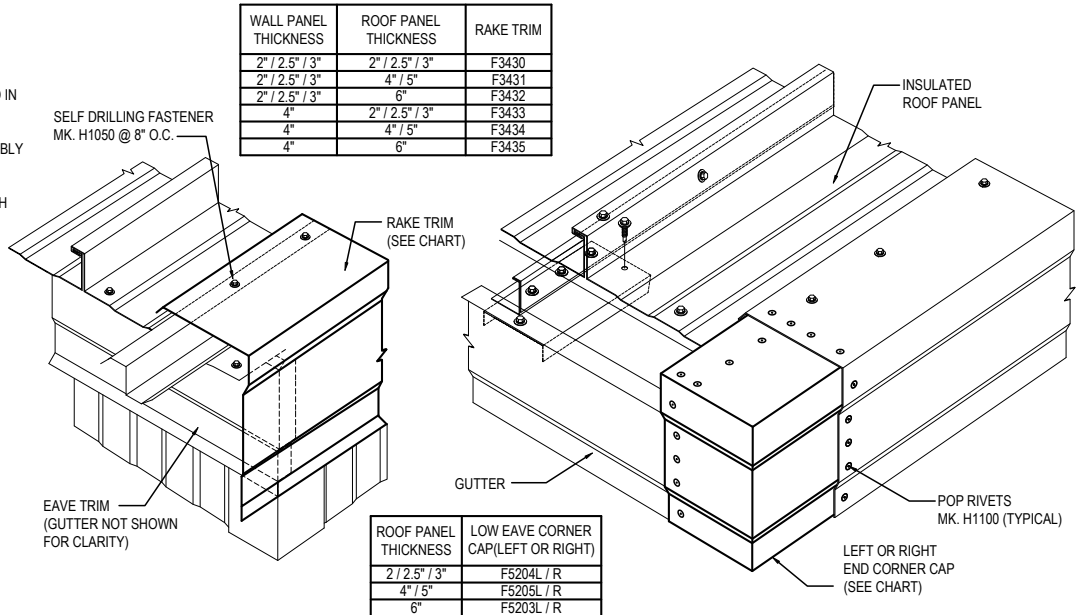
GUTTER CORNER CAP AND RAKE TRIM INSTALLATION

FASTEN THE RAKE TRIM TO THE ROOF PANEL AS INDICATED IN THE RAKE TRIM DETAIL.

FASTEN THE RAKE TRIM TO THE LOW EAVE CORNER ASSEMBLY USING POP RIVETS MK. H1100 AS SHOWN.

COPE THE BOTTOM VERTICAL LEG OF THE RAKE TRIM FLUSH WITH THE OUTSIDE EDGE OF THE WALL CORNER TRIM.

ALWAYS START THE RAKE TRIM INSTALLATION AT THE LOW EAVE WORKING TOWARD THE HIGH EAVE OR RIDGE.



WALL PANEL THICKNESS	ROOF PANEL THICKNESS	RAKE TRIM
2" / 2.5" / 3"	2" / 2.5" / 3"	F3430
2" / 2.5" / 3"	4" / 5"	F3431
2" / 2.5" / 3"	6"	F3432
4"	2" / 2.5" / 3"	F3433
4"	4" / 5"	F3434
4"	6"	F3435

ROOF PANEL THICKNESS	LOW EAVE CORNER CAP (LEFT OR RIGHT)
2" / 2.5" / 3"	F5204L / R
4" / 5"	F5205L / R
6"	F5203L / R

SCULPTURED RAKE TO ON SLOPE GUTTER

ED8200

Detailer Notes:

1) N/A